

# Mobility Sound

## BTD-2K2 Bluetooth Dongle



### BLUETOOTH DONGLE USER'S GUIDE For Compatible Wireless Audio Accessories

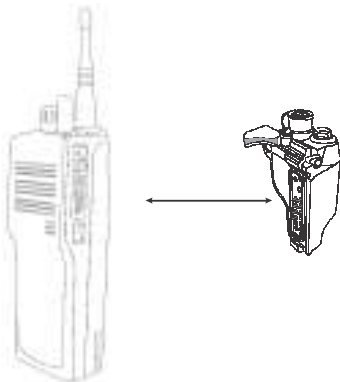
*The Mobility Sound Bluetooth dongle BT-Dongle allows you to use a compatible wireless headset or other audio accessory with your two-way radio.*

Bluetooth Dongle  
Model No.: BTD-2K2  
Made in Taiwan  
FCC ID: XTS-BTD-1M3,CE,RoHS  
Version 1.0 October 2010

#### QUICK START

1. Connect the Mobility Sound Bluetooth dongle (BT-Dongle) to a compatible two-way radio.
2. Pair the Bluetooth dongle with a compatible wireless audio accessory.
3. Test and use.

### Connecting the Dongle to Radio



#### STEP ONE: Connecting to Two-Way Radio

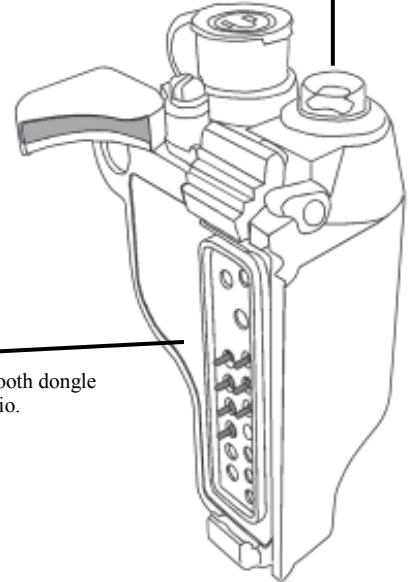
- To connect your Bluetooth dongle to a two-way radio, follow these steps:
- \* Always turn off your two-way radio before connecting the Bluetooth dongle.
  - \* Plug the Bluetooth Dongle BT-Dongle into the speaker-microphone / audio accessory jack of your two-way radio.
  - \* On some models of two-way radio, you may need to tighten a retaining screw to ensure that the Bluetooth dongle remains attached to the radio
  - \* Turn on your two-way radio and verify that the radio transmits and receives with the dongle attached.
  - \* Because no wireless audio accessory will yet be paired to the Bluetooth dongle, received signals should be heard over the radio's internal speaker and transmitted signals will be sent using the radio's internal microphone.
  - \* The Talk button on the Bluetooth dongle will not function as a Push-to-Talk button for your two-way radio until a wireless audio accessory is successfully paired to the dongle.

3

### Controls and Connection

#### Multi-Function Talk Switch / Status LED

Used to place the Bluetooth dongle in pairing mode. The LED flashes messages that let the user know the current status of the Bluetooth dongle. Once paired with an audio accessory, this switch is used to activate the Push-To-Talk function of the two-way radio.

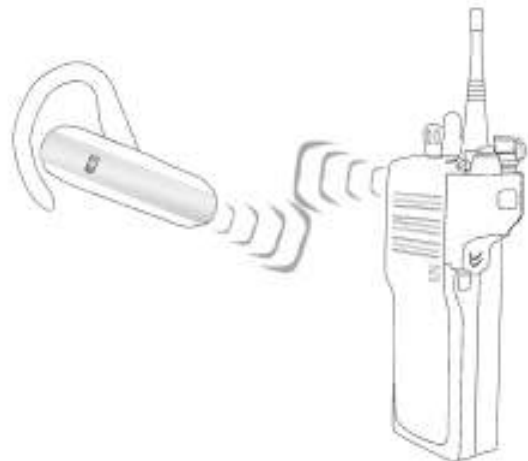


#### Radio Connector

This port connects the Bluetooth dongle to a compatible two-way radio.

2

### Pairing With an Audio Accessory



#### STEP TWO: Pairing with an Audio Accessory

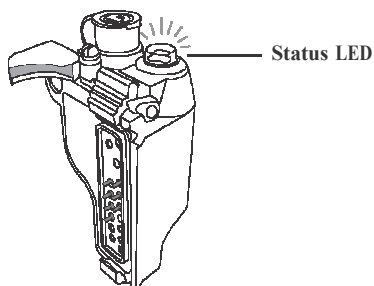
- \* Turn off the radio that the Bluetooth dongle is connected to. Wait at least three seconds.
- \* Turn the radio on while holding down the Talk button on the Bluetooth dongle.
- \* Continue to hold the Talk button down for approximately three seconds. Release the Talk button when the status LED begins to flash two times per second.
- \* The Bluetooth dongle is now in audio accessory pairing mode. Activate the pairing mode on your compatible wireless audio accessory.
- \* Once the wireless audio accessory and Bluetooth dongle are paired with each other, the status LED on the dongle will show a constant blue light for three seconds.
- \* If the Bluetooth dongle does not detect a compatible wireless accessory within 60 seconds of being put into pairing mode, the dongle will exit the pairing mode and resume normal operation.
- \* Once successfully paired, you will be able to operate your two-way radio using your compatible wireless accessory.

4

## STATUS LED MESSAGES

The meanings of the various status LED messages shown by the Bluetooth dongle are shown on the following table:

LED INDICATION	MEANING
One flash per 4 seconds	Normal operation
Two flashes per second	Audio accessory pairing mode active
One long flash for three seconds	Successfully paired or re-paired
No indication	Radio is turned off



## TROUBLESHOOTING

### *My wireless audio accessory will not pair with the Bluetooth Dongle.*

Follow the instructions to place the Bluetooth dongle into the correct pairing mode and then activate the pairing mode on the accessory. Make sure that the Bluetooth dongle and accessory being paired are within one meter of each other.

### *My wireless audio accessory or worked before, but is not working now.*

Make sure that the Bluetooth dongle is properly connected to the two-way radio and that the radio is turned on. Ensure that your wireless audio accessory has a fully charged battery and is turned on. If the devices will still not work, re-pair the Bluetooth dongle to the wireless accessories.

**DISCLAIMER:** The wireless link used by Mobility Sound products is an open standard, unsecured technology. As such, it is not recommended for first-responder or other mission critical users.

**NOTE:** Your adapter may mute your two way radio's speaker, causing incoming calls to be missed, in any of the following situations:

- \* The adapter is attached to the two-way radio and no wireless headset or wired accessory is paired
- \* Your wireless headset is turned off or runs out of battery power
- \* Your wireless headset goes out of range of the BTD-Turbo adapter
- \* Local interference causes the BTD-Turbo adapter and the wireless headset to lose pairing

## Support and Warranty

This product is covered by a one-year manufacturer's limited warranty. For support or warranty service on your Mobility Sound product, contact us or visit us on the web at [www.mobilitysound.com.tw](http://www.mobilitysound.com.tw).

### Federal Communication Commission Interference Statement

This equipment has been tested and found to comply with the limits for a Class B digital device, pursuant to Part 15 of the FCC Rules. These limits are designed to provide reasonable protection against harmful interference in a residential installation. This equipment generates uses and can radiate radio frequency energy and, if not installed and used in accordance with the instructions, may cause harmful interference to radio communications. However, there is no guarantee that interference will not occur in a particular installation. If this equipment does cause harmful interference to radio or television reception, which can be determined by turning the equipment off and on, the user is encouraged to try to correct the interference by one of the following measures:

- Reorient or relocate the receiving antenna.
- Increase the separation between the equipment and receiver.
- Connect the equipment into an outlet on a circuit different from that to which the receiver is connected.
- Consult the dealer or an experienced radio/TV technician for help.

FCC Caution: Any changes or modifications not expressly approved by the party responsible for compliance could void the user's authority to operate this equipment.

This device complies with Part 15 of the FCC Rules. Operation is subject to the following two conditions: (1) This device may not cause harmful interference, and (2) this device must accept any interference received, including interference that may cause undesired operation.

This equipment complies with FCC RF radiation exposure limits set forth for an uncontrolled environment. To maintain compliance with FCC RF exposure compliance requirements, please avoid direct contact to the transmitting antenna during transmitting.

### RF Exposure Warning!

Please keep product 20cm away from your body or bystander during the radio operation. The typical handheld two-way radios were certified under mobile usage condition (i.e. keep 20cm away from the user body) and use of such radio closer than 20cm may exceed the US RF exposure limit and shall be avoided.